



**SPARE PARTS CATALOGUE
ERSATZTEILKATALOG
CATALOGUE PIECES DETACHEES
CATALOGO PARTI RICAMBIO
CATALOGO DE PIEZAS DE RECAMBIO
CATALOGO PECAS, DE REPOSICAO**

Catalogo parti di ricambio valido
dalla matricola 4334285 ad oggi (17/11/2021)

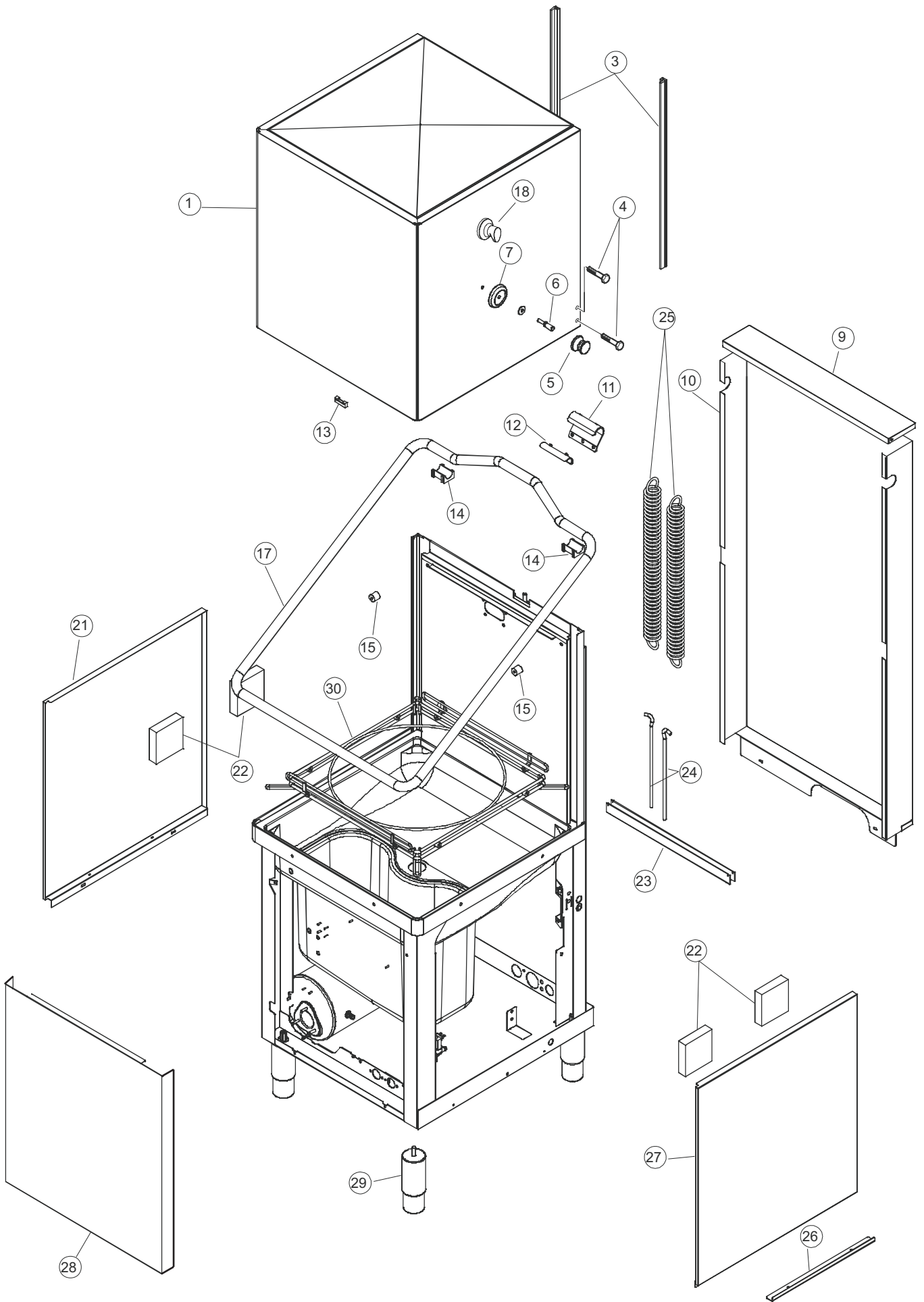
Catalogue pieces detachees
du numero de Série n. 4334285 jusqu'à aujourd'hui (17/11/2021)

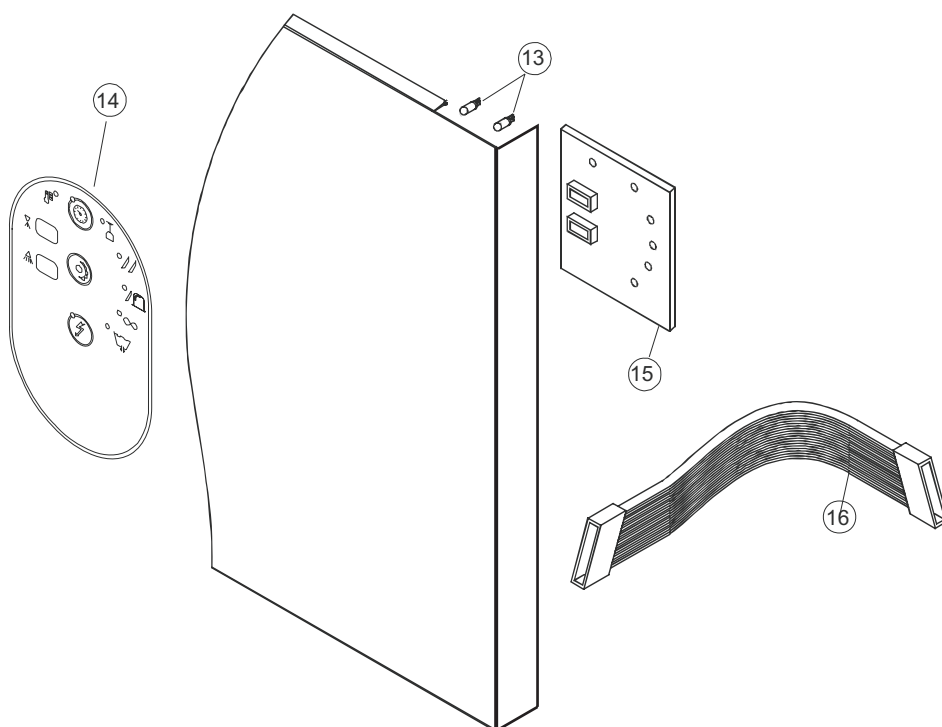
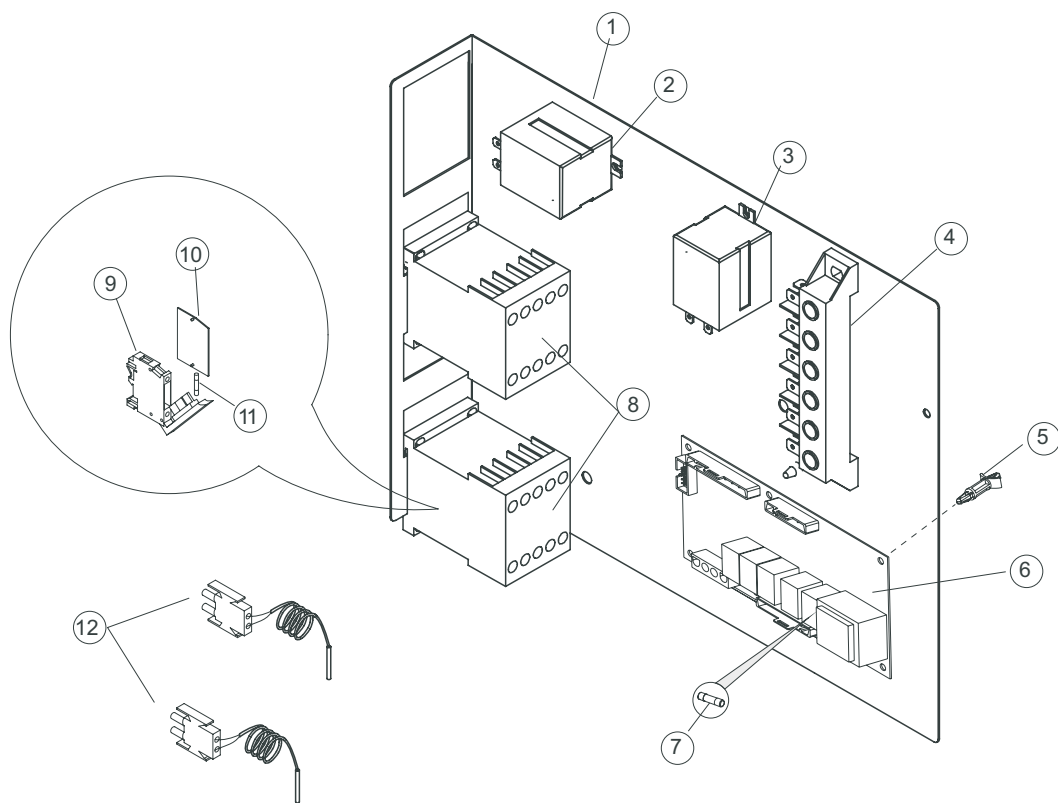
Ersatzteilkatalog
gültig ab Serien-Nr. 4334285 bis heute (17/11/2021)

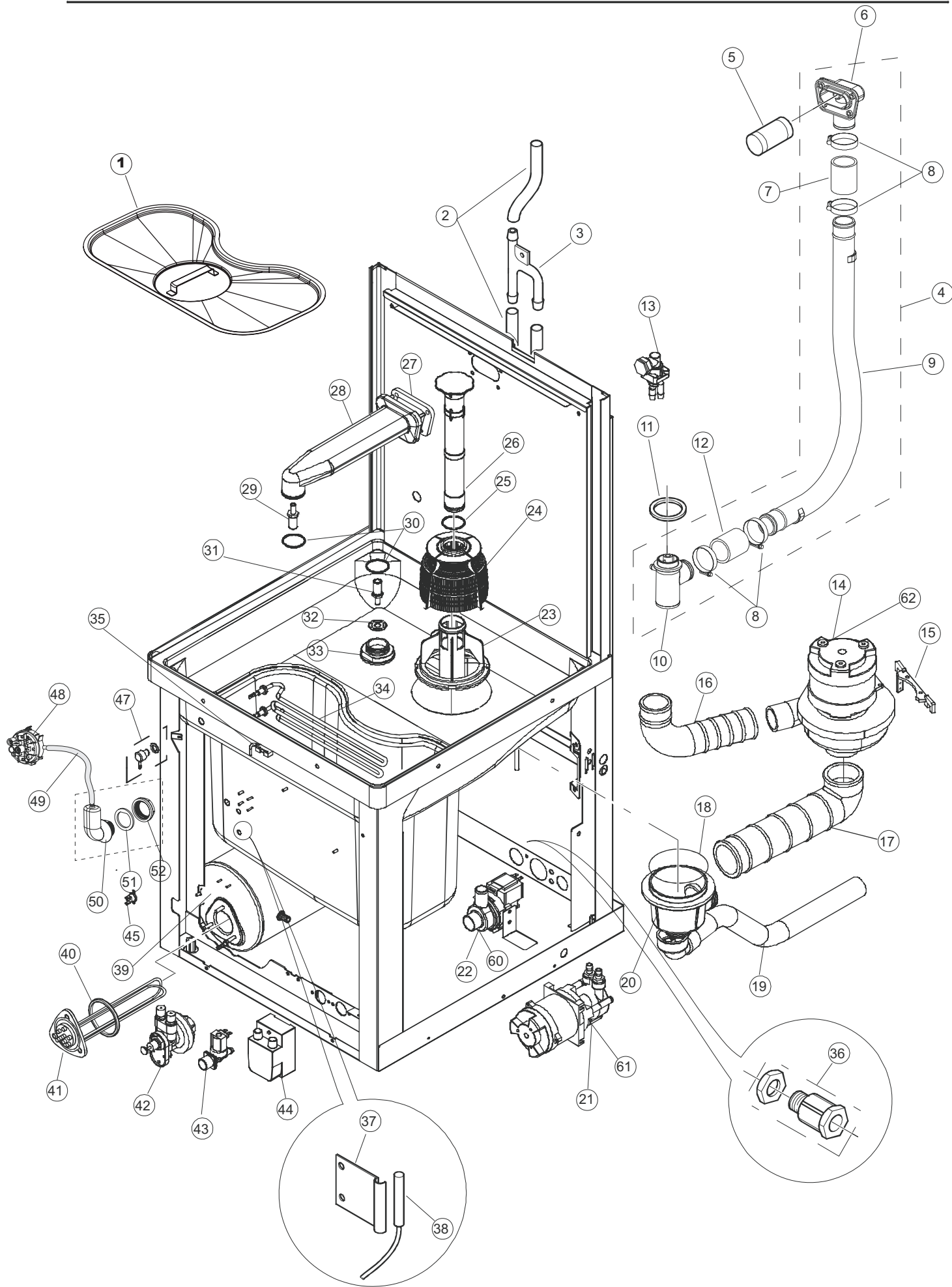
Spare parts catalogue
valid from serial no. 4334285 up today (17/11/2021)

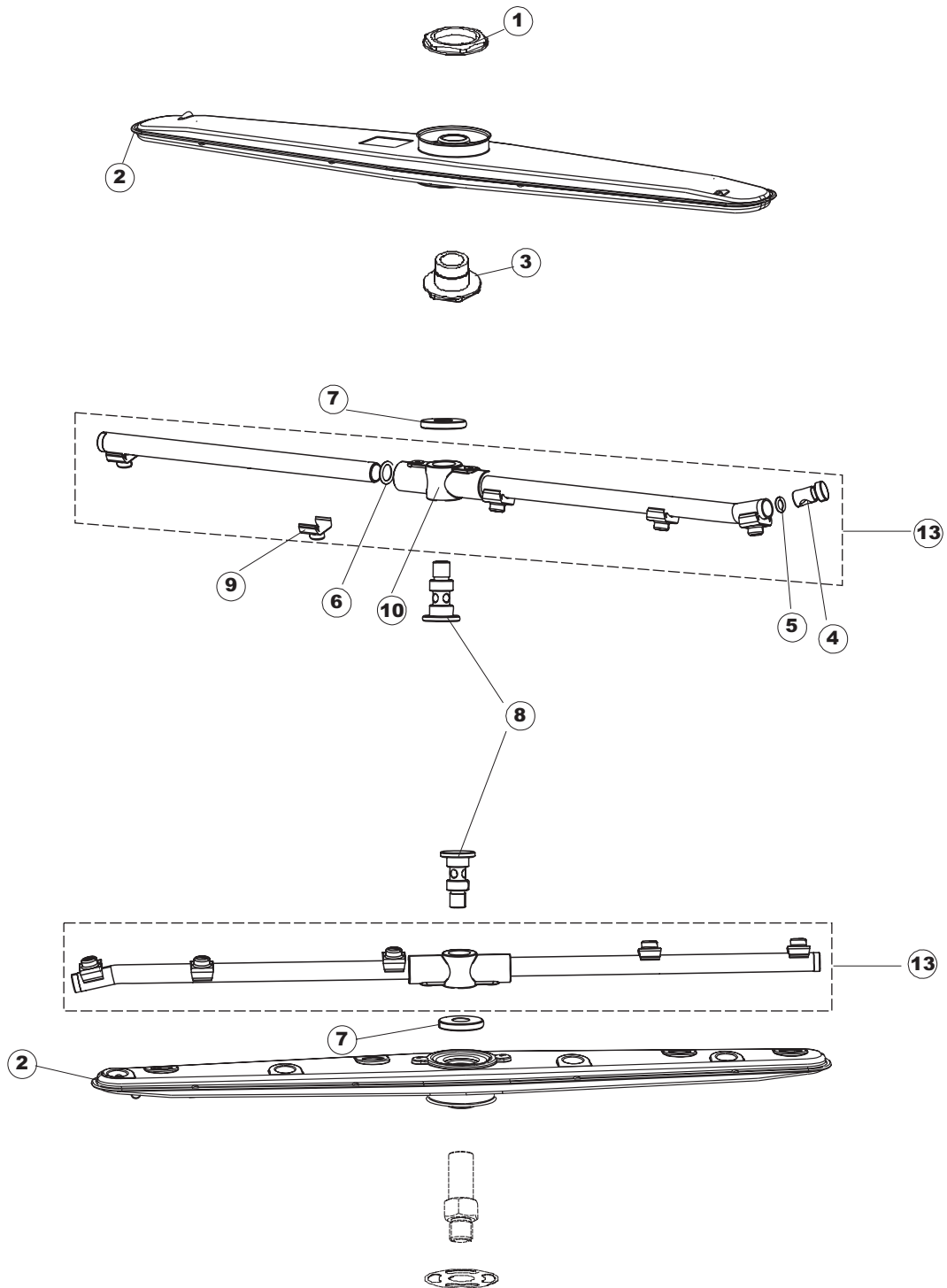
Catálogo de peças de reposição
válido do número de série 4334285 até hoje (17/11/2021)

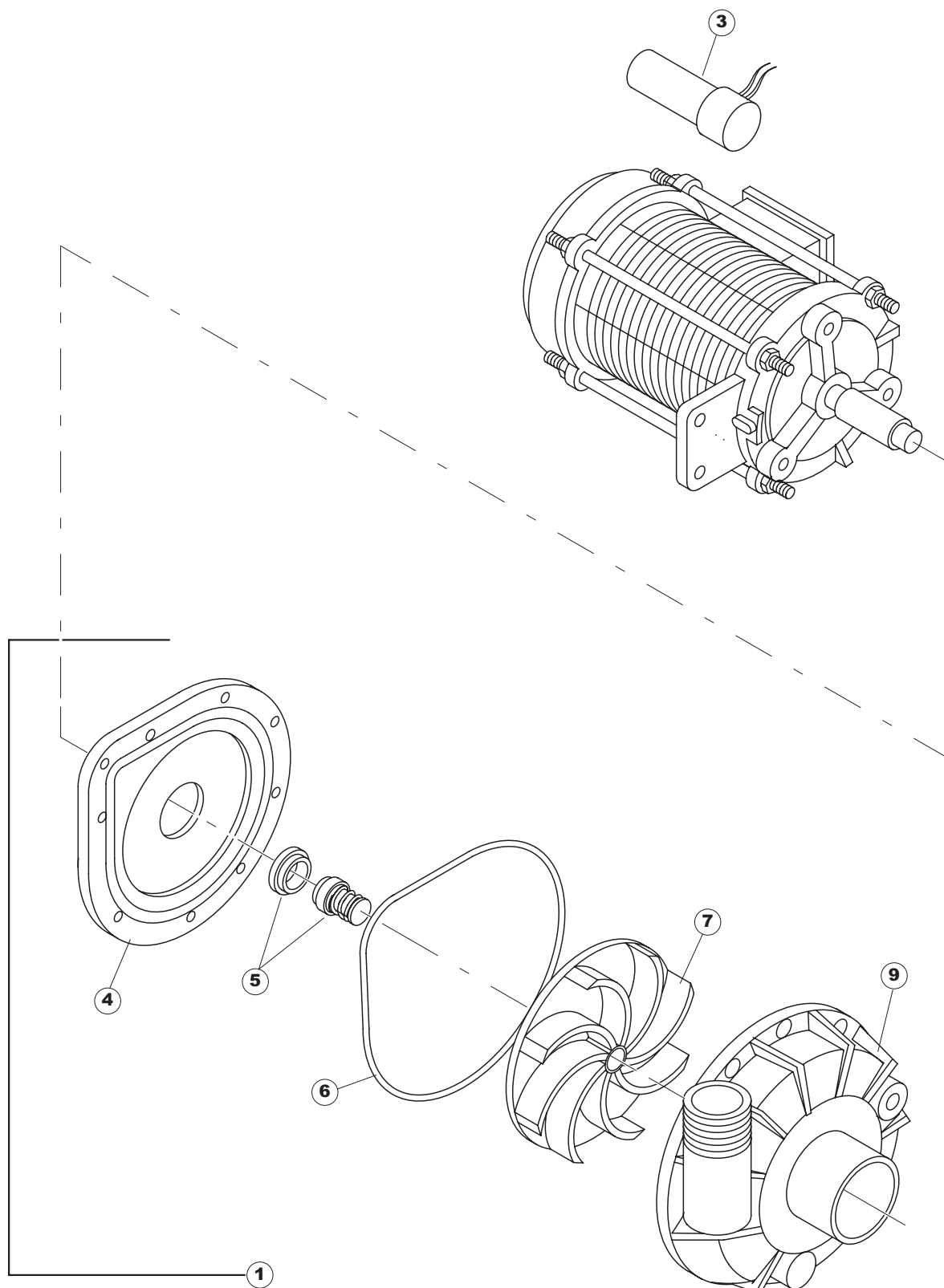
CP 4054











(CAM1733)

(*) Recommended spare part.

Page	Spare part position	Spare part code no.	Old code number	Description	U.m.
1	1	K69141		HOOD	NR
1	3	80069		HOOD DRIVE	NR
1	4	80998		SCREW	NR
1	5	80132		PIVOT	NR
1	6	80131		PIVOT	NR
1	7	80130		PART NUMBER NO LONGER AVAILABLE	
1	9	80324		PRICE TO BE DEFINED (PART NR. REPLACED BY 74632)	
1	9	74632		TOP PANEL	NR
1	10	80162		PRICE TO BE DEFINED (PART NR. REPLACED BY 80167)	
1	10	80167		BACK PANEL	NR
1	11	80275		COIL HOOKING BRACKET - COMPLETE	NR
1	12	80277		SPRING HOOKING SLIDE	NR
1	13	927088		MAGNET FOR HOOD MICROSWITCH	NR
1	14	80190		BRACKET	NR
1	15	80105		HOOD / DOOR STOP	NR
1	17	80035		HANDLE	NR
1	18	80623		PRICE TO BE DEFINED (PART NR. REPLACED BY 437117)	
1	18	437117		WASHER	NR
1	21	80071		LEFT SIDE PANEL (PART NR. REPLACED BY 70871)	
1	21	70871		LEFT SIDE PANEL	NR
1	22	41042		ADHESIVE PLUG	NR
1	23	74923		HOLDER TENSION SPRING	NR
1	24	926009		SPRING ADJUSTMENT HOOK	NR
1	25	926007		EXTENSION STEEL SPRING FOR DISHWASHER	NR
1	26	80078		SUPPORT BRACKET	NR
1	27	80072		RIGHT SIDE PANEL (PART NR. REPLACED BY 70872)	
1	27	70872		RIGHT SIDE PANEL	NR
1	28	80090		PRICE TO BE DEFINED (PART NR. REPLACED BY 69590)	
1	28	69590		FRONT PANEL	NR
1	29	73100		FOOT	NR
1	30	80240		PRICE TO BE DEFINED (PART NR. REPLACED BY K80240)	
1	30	K80240		RACK FRAME	NR

(*) Recommended spare part.

Page	Spare part position	Spare part code no.	Old code number	Description	U.m.
2	1	80459		WIRING PANEL	NR
2	2	DER111		PRICE TO BE DEFINED (PART NR. REPLACED BY 229029)	
2	2	229029		RELAY	NR
2	3	929115		RELAY 16A 230V	NR
2	4	220011		TERMINAL BLOCK	NR
2	5	CWP2		FOOT	NR
2	6	999298		MAIN BOARD	NR
2	7	228010		FUSE	NR
2	8	73350		CONTACTOR	NR
2	9	H.228047		PRICE TO BE DEFINED (PART NR. REPLACED BY 74935)	
2	9	74935		FUSE-HOLDER	NR
2	10	H.228048		PRICE TO BE DEFINED	
2	11	228004		FUSE (PART NR. REPLACED BY 228010)	
2	11	228010		FUSE	NR
2	12	231016		TEMPERATURE PROBE	NR
2	13	461021		FOOT (PART NR. REPLACED BY 417119)	
2	13	417119		NUT	NR
2	13	461021		FOOT (PART NR. REPLACED BY 419036)	
2	13	419036		INTERFACE BOARD DISTANCE KEEPERS	NR
2	14	80761		PRICE TO BE DEFINED	
2	15	80889		CONTROL KEYBOARD	NR
2	16	80934		FLAT CABLE	NR
3	1	80410		STAINER	NR
3	2	143010		RUBBER PIPE 12X19,5	MT
3	3	143268		JUNCTION "Y"	NR
3	4	80237		MAINFOLD	NR
3	5	441009		GASKET	NR
3	6	80174		PIPE FITTING	NR
3	7	80189		DELIVERY WASH HOSE	NR
3	8	CFS1A		HOSE CLAMP	NR
3	9	80238		PIPE	NR
3	10	80179		PIPE FITTING	NR

(*) Recommended spare part.

Page	Spare part position	Spare part code no.	Old code number	Description	U.m.
3	11	80182		GASKET	NR
3	12	80189		DELIVERY WASH HOSE	NR
3	13	144010		NON RETURN VALVE (PART NR. REPLACED BY 144010NT)	
3	13	144010NT		NON-RETURN VALVE	NR
3	14	80134		WASHPUMP	NR
3	15	80545		SUPPORT BRACKET	NR
3	16	80188		DELIVERY WASH HOSE	NR
3	17	80186		SUCTION PIPE	NR
3	18	456040		O-RING	NR
3	19	143136		DRAIN HOSE	NR
3	20	136020		ASPIRATION AND DRAIN BODY	NR
3	21	DPE127		MOTORPUMP	NR
3	22	80117		DRAIN PUMP (PART NR. REPLACED BY 130177)	
3	23	429038		RING NUT	NR
3	24	121081		STAINER	NR
3	25	CGR4131NT		O-RING	NR
3	26	80249		OVERFLOW PIPE	NR
3	27	80178		GASKET	NR
3	28	80177		PRICE TO BE DEFINED (PART NR. REPLACED BY 69017)	
3	28	69017		MAINFOLD	NR
3	29	80282		PIVOT	NR
3	30	303032		INOX RING	NR
3	31	80283		BOTTOM PIVOT	NR
3	32	80316		FLOW REDUCER	NR
3	33	80281		PRICE TO BE DEFINED (PART NR. REPLACED BY 80285)	
3	33	80285		RING NUT	NR
3	34	70562		HEATING ELEMENT	NR
3	35	80871		MAGNETIC DOOR SWITCH	NR
3	36	929104		PART NUMBER NO LONGER AVAILABLE	
3	37	H.775489-001		SUPPORT TEMPERATURE PROBE	NR
3	38	231016		TEMPERATURE PROBE	NR
3	39	80389		BOILER	NR

(*) Recommended spare part.

Page	Spare part position	Spare part code no.	Old code number	Description	U.m.
3	40	456002		O-RING	NR
3	41	230083C		HEATING ELEMENT 6KW	NR
3	42	DWD3		PRICE TO BE DEFINED (PART NR. REPLACED BY 41952)	
3	43	240016		SOLENOID VALVE	NR
3	44	209021		DETERGENT AID PUMP (PART NR. REPLACED BY 209029)	
3	44	209029		DETERGENT DISPENSER	NR
3	45	926189		CONTACT SAFETY-THERMOSTAT	NR
3	47	468151		PRICE TO BE DEFINED (PART NR. REPLACED BY 999348)	
3	47	999348		DETERGENT TANK FITTING	NR
3	48	69850		PRESSURE SWITCH TYPE 45/22	NR
3	49	143131		PIPE	MT
3	50	107012		PRICE TO BE DEFINED (PART NR. REPLACED BY 70600)	
3	50	70600		AIR TRAP FOR PRESSURE SWITCH	NR
3	51	437098		GASKET	NR
3	52	417120		NUT	NR
3	60	80117UL		PRICE TO BE DEFINED (PART NR. REPLACED BY 130181)	
3	60	130181		PART NUMBER NO LONGER AVAILABLE	
3	61	DPE127HZ		MOTORPUMP 60HZ	NR
3	62	80113HZ		WASHPUMP	NR
4	1	80314		PART NUMBER NO LONGER AVAILABLE (PART NR. REPLACED BY 926128)	
4	1	926128		HUB SUPPORT NUT FOR WASHING ARMS FOR DISHWASHERS MOD L51/52 (S6695)	NR
4	2	80311		COMPLETE WASH ARM	NR
4	3	80310		GREY WASH ARM HOLDER (RAL 7001)	NR
4	4	926132		PLASTIC RINSE ARM CAP	NR
4	5	CGR106		PRICE TO BE DEFINED (PART NR. REPLACED BY 456030)	
4	5	456030		O-RING	NR
4	6	456019		O-RING	NR
4	7	80679		RING NUT	NR
4	8	80644		PIVOT	NR
4	9	140036		RINSE JET	NR
4	10	69632		BODY ARM	NR
4	13	69677		COMPLETE RINSE ARM	NR

(*) Recommended spare part.

Page	Spare part position	Spare part code no.	Old code number	Description	U.m.
5	1	80134		WASHPUMP	NR
5	3	80191		CAPACITOR	NR
5	4	80196		PRICE TO BE DEFINED	
5	5	80193		GASKET	NR
5	6	80199		GASKET	NR
5	7	80197		ELECTROPUMP IMPELLER	NR
5	9	80198		PRICE TO BE DEFINED	